

ROBOTICS

Topics Flashing light, Walking lights

Materials Laptop, Arduino UNO Card, LED lights, Breadboard, Resistances

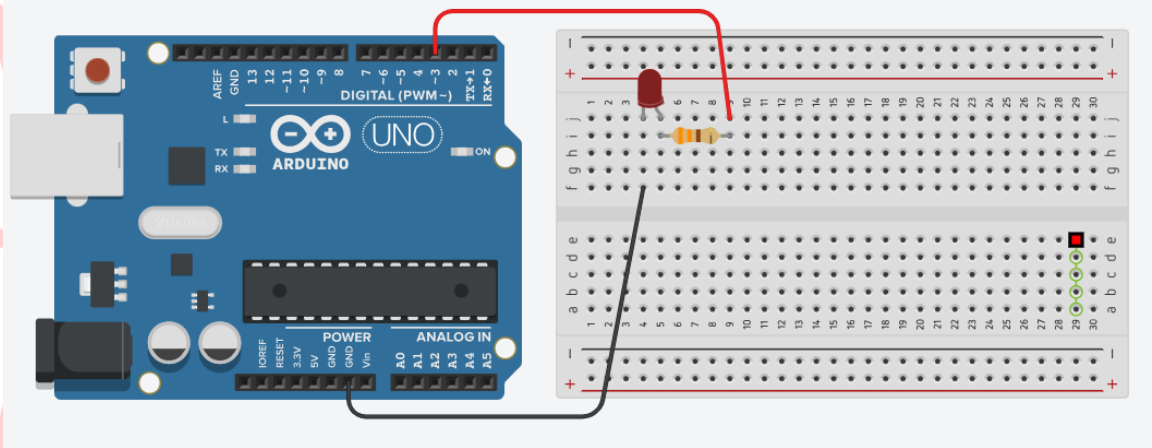
Software

- <https://www.tinkercad.com/circuits>
- mBlock

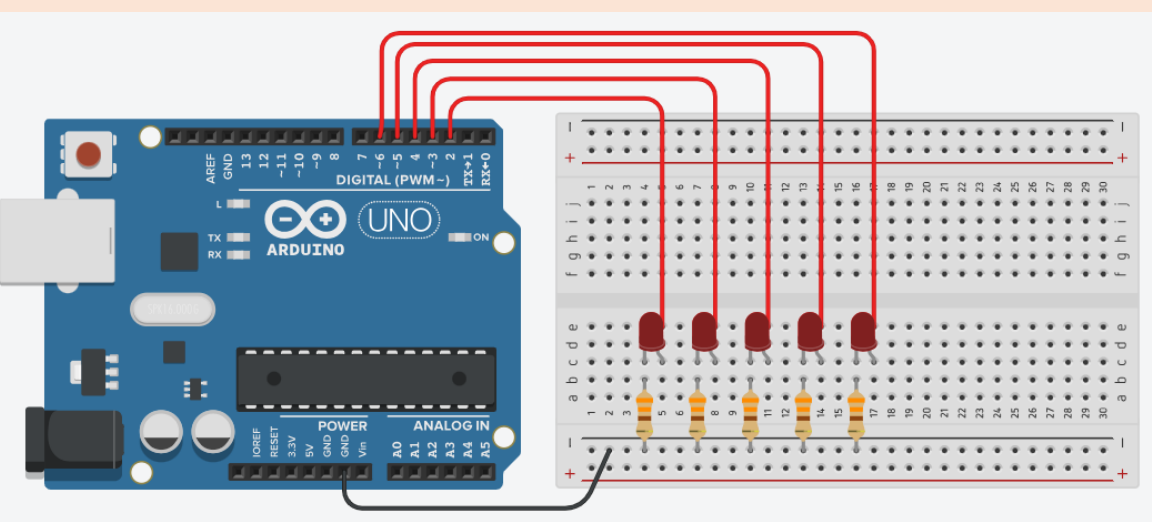
Knowledge and skills

- Learning about Robotic cards and components
- Learning about the block codes for Robotics
- Using Robotic materials
- Setting the circuit of flashing lights
- Setting the circuit of walking lights
- Writing codes for the circuits

Design for the circuit of flashing light



Design for the circuit of walking lights



3D PRINTING

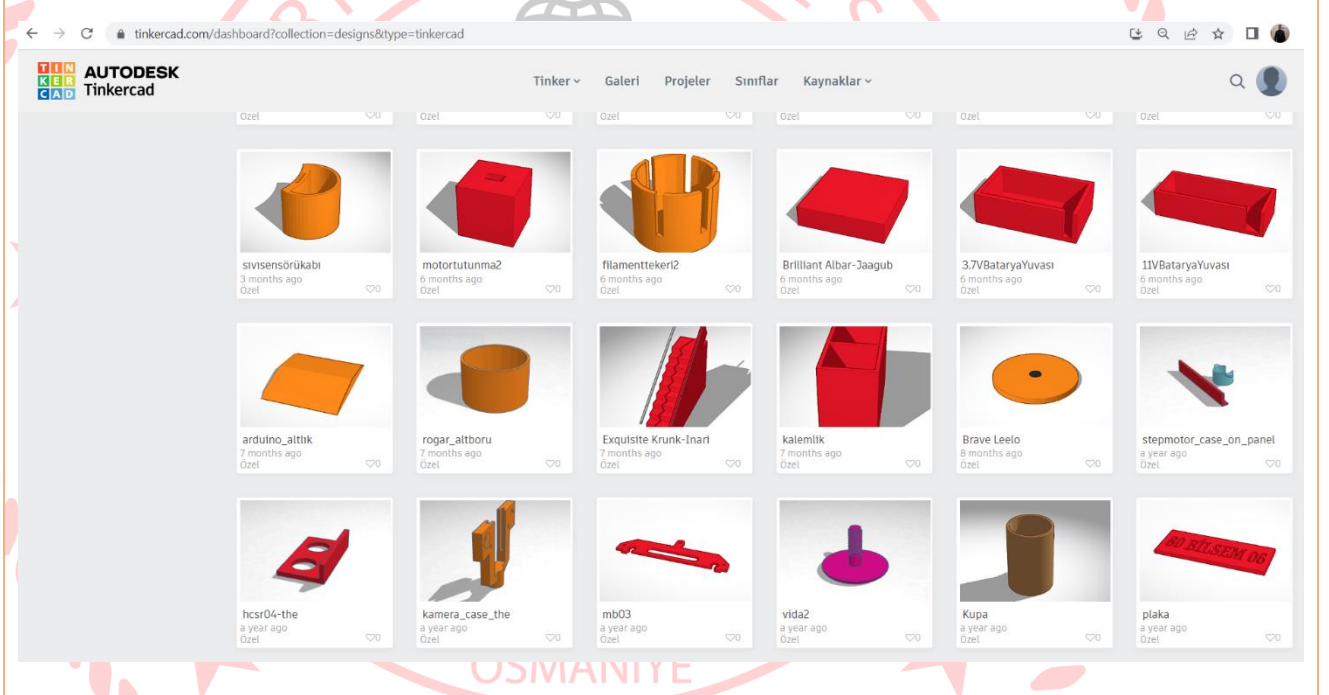
Topics Designing 3D Objects, Printing 3D Objects

Materials Laptop, 3D Printer

- Software**
- <https://www.tinkercad.com/3d-design>
 - Cura

- Knowledge and skills**
- Learning about 3D Design Applications, Tools and Websites
 - Learning about 3 Dimensions
 - Using Tinkercad for 3D Designing
 - Using Cura to make adjustments before printing
 - Using 3D Printer to print an object

Designing 3D Objects at Tinkercad platform



Sensing the Environment with the Sensors

Topics Using sensors to sense the environment

Materials Laptop, Arduino UNO Card, LED lights, Breadboard, Resistances,

Software

- <https://www.tinkercad.com/circuits>
- mBlock

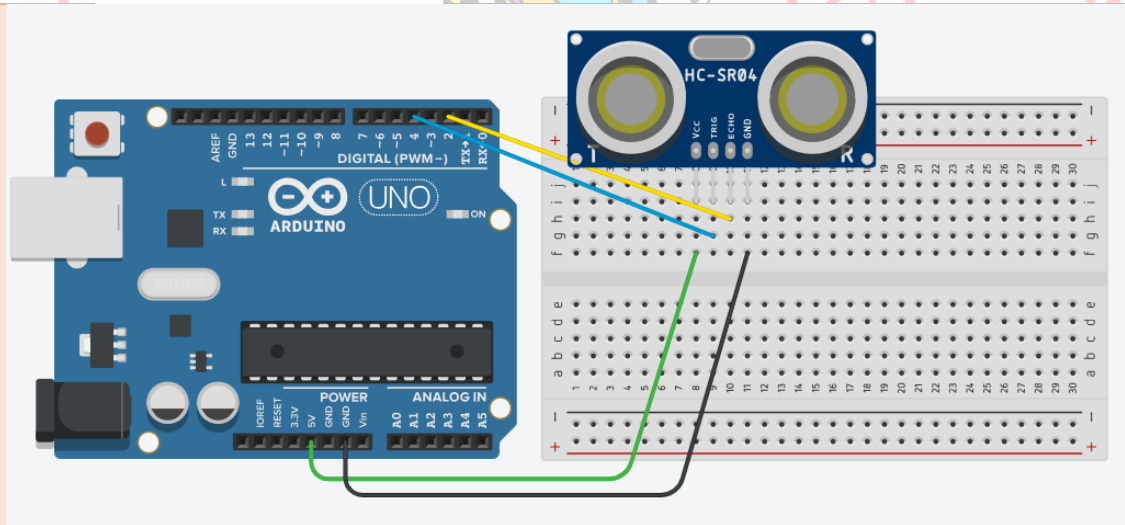
Knowledge and skills

- Learning about Robotic cards and components
- Learning about the block codes for Robotics
- Using Robotic materials
- Setting the circuit of flashing lights
- Setting the circuit of walking lights
- Writing codes for the circuits

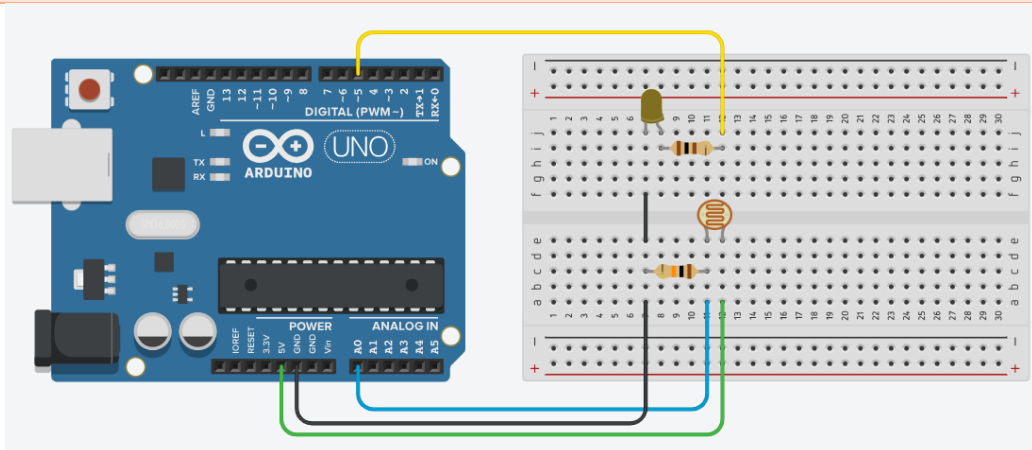
Sensors



Design for the circuit of Distance Sensor



Design for the circuit of Light Sensor



The moments from the lessons







